

Yale *lift* 360

Hand chain hoist



APPLICATION-ORIENTED PRODUCTS FOR OPTIMUM USE

THE YALELIFT SERIES

The hand chain hoist model Yalelift 360 combines modern design with technical innovation. The robust construction characterizes this series for a variety of applications. The integrated load pressure brake secures the load in any position.

MADE IN GERMANY

Manual hoists and electric chain hoists are being developed, produced, assembled and delivered from Wuppertal in standard as well as customer-specific designs.

YALE PRODUCT FAMILY

The Yalelift 360 is offered as standard in the hook version and powder-coated. Other versions are the models YLITP/G and YLLHP/G with integrated push and geared trolley.

For special applications, all versions can also be supplied with an MKS coating.

ATEX VERSION



Explosion proof version available.

rotating hand chain guide!



360°

**EXPERIENCE THE
ADVANTAGE OF 360°**



UPGRADE
SIMPLE & FLEXIBLE
from Yalelift 360
to Yalelift IT

COMPLETE SERIES YALELIFT
**CAPACITIES FROM
500-20000 KG**
WITH
**INTEGRATED
PUSH OR GEARED TROLLEY**

Yale*lift* 360

Both, the type of application and the operating conditions go far beyond those of a classic hand chain hoist.

CAPACITIES 500 - 20000 KG

BENEFITS & FEATURES

STAMPED STEEL HOUSING

The robust stamped steel housing with four stay bolts protects all internal components even in the toughest working conditions.

COMPACT CONSTRUCTION

The extremely low headroom allows maximum use of the lifting height.

EASY TO USE

The revolutionary 360° rotating hand chain guide allows the operator to work from virtually any position, even in confined spaces or from above the load.

The Yale*lift* can even be operated from the side of the load, which also makes it possible to use the hoist for horizontal pulling or tensioning. Due to the additional flexibility, the operator is no longer forced to work in the danger zone near the load.

RELIABLE LOAD GUIDANCE

Chain guide and gearbox are almost totally enclosed. Even under the toughest conditions, the internal gearbox remains protected.

PRECISELY MATCHED LOAD CHAIN SHEAVE

The hardened load sheave with four precision-machined pockets ensures accurate movement of the load chain.

CONVENTIONAL LOAD PRESSURE BRAKE

The Weston-type load pressure brake is still being used in all manual hoists all around the world.

In this principle, the axial brake pressure is caused by the load itself and thus is always proportional to the size of the load, while the load is always kept safe in any position.

When lowering, in order to release the brake, the difference between the brake-momentum and the load-momentum has to be overcome to even open the brake. During the complete lowering process, the brake will automatically close due to the attached load.

HIGH QUALITY LOAD CHAIN

The surface protected zinc-plated or yellow chromated alloy steel load chains fulfil all current requirements of national and international standards and regulations.

They are optimally matched to the load sprocket and ensure safe and long-lasting operation of the device.

ROTATING HOOK - EASY TO MAINTAIN

Drop forged load and suspension hooks that yield under overload instead of breaking, are made of high tensile steel.

The hooks are fitted with robust safety latches and rotate 360°.

OPTIONS

OVERLOAD PROTECTION DEVICE

The overload protection device serves to protect all components on and in the device against inadmissible overload. It usually reacts when the permissible load capacity is exceeded by 25%.

CHAIN CONTAINER

available for all models

CORROSION RESISTANT VERSION

The MKS coating is a coating of zinc and aluminium flakes which primarily protect the device against corrosion.

Even extremely thin layers - typically a system of base and top coat consists of 8-12 µm - high protective effects against base metal corrosion (red rust) can be achieved.



STEEL HOUSING

The robust stamped steel housing with four stay bolts is resistant to the toughest working conditions.



OPTIMIZED LOAD SHEAVE

The precisely machined load sheave ensures accurate movement of the load chain.



SPECIFIC CHAIN GUIDE



HIGH QUALITY BALL BEARINGS

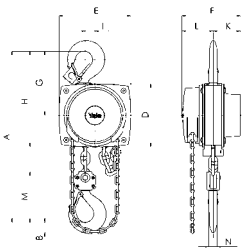
High quality encapsulated ball bearings and sliding bushes for smooth and effortless operation.

Technical data Yalelift 360

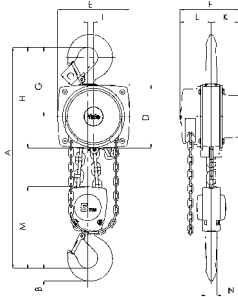
Model	Art.-No.	Capacity kg	Number of chain falls	Chain dimensions d x p in mm/ design	Lift per 1 m hand chain overhaul mm	Hand pull at WLL daN	Weight at standard lift (3 m) kg
YL 500	N04700109	500	1	5x15 - T	33	21	9
YL 1000	N04700110	1000	1	6x18 - T	20	30	13
YL 2000	N04700111	2000	1	8x24 - T	14	32	21
YL 3000	N04700112	3000	1	10x30 - V	12	38	34
YL 5000	N04700113	5000	2	10x30 - T	6	34	48
YL 10000	N04700075	10000	3	10x30 - V	4	44	71
YL 20000	N04700077	20000	6	10x30 - V	2	2x44	196

Dimensions Yalelift 360

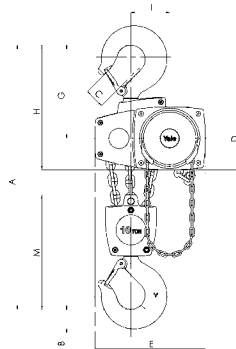
Model	YL 500	YL 1000	YL 2000	YL 3000	YL 5000	YL 10000	YL 20000
A min., mm	300	335	395	520	654	825	1065
B, mm	17	22	30	38	45	68	85
C, mm	24	29	35	40	47	68	64
D, mm	133	156	182	220	220	220	303
E, mm	148	175	203	250	250	383	555
F, mm	148	167	194	219	219	219	250
G, mm	139	164	192	225	242	326	391
H, mm	206	242	283	335	352	436	501
I, mm	24	24	31	34	21	136	-
K, mm	61	70	83	95	95	95	396
L, mm	87	97	111	124	124	124	125
M, mm	110	125	156	178	285	401	471
N, mm	14	19	22	30	37	50	56



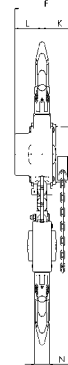
Yalelift 360, 500 - 3000 kg,
single fall



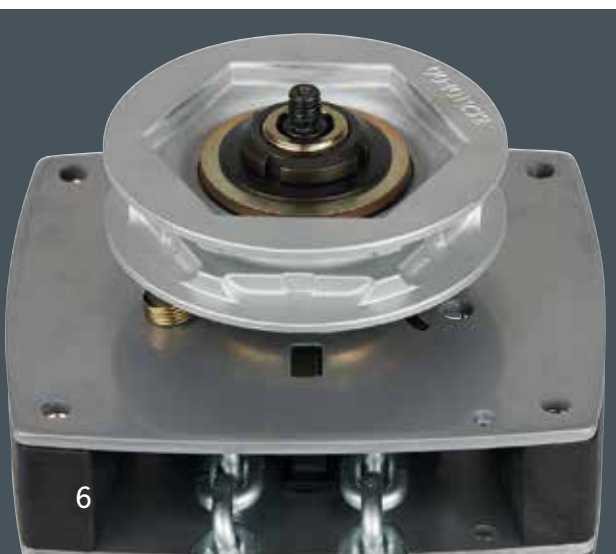
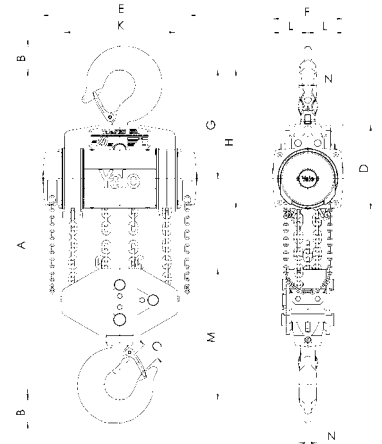
Yalelift 360, 5000 kg,
double fall



Yalelift 360, 10000 kg,
three fall



Yalelift 360, 20000 kg,
six fall



OPTIONAL WITH OVERLOAD PROTECTION DEVICE

The overload protection device serves to protect all components on and in the device against inadmissible overload. It usually reacts when the permissible load capacity is exceeded by 25%.



CMCO
www.cmco-hebetechnik.at

Last verboten!

YALELIFT IT - HAND CHAIN HOIST WITH INTEGRATED PUSH OR GEARED TROLLEY

The combination of the Yalelift 360 with a low headroom manual trolley provides even more flexibility in the application.

CAPACITIES 500 - 20000 KG

BENEFITS & FEATURES

- All units of this series up to a capacity of 3000 kg are built with a single chain fall, the min. headroom (Dim. A) has been further reduced. Ideal for applications with low ceilings and limited headroom.
- The approved and almost stepless adjustment system of the trolley enables the simple and quick assembly due to adjusting nuts.
- Trolleys up to 5 t capacity are offered for two beam ranges; range A for a flange width of up to 180 mm is standard and covers approx. 80 % of all applications. Conversion to range B for beam width up to 300 mm can be easily accomplished.
- The trolley wheels are designed for a max. beam profile incline of 14 % (DIN 1025 - part 1), excellent rolling features are guaranteed by pre-lubricated, encapsulated ball bearings.
- Anti-drop and anti-tilt devices as standard.

OPTIONS

- Adjustable overload protection device.
- Chain container
- Rubber buffers
- Corrosion resistant version
- Beam locking device to secure the unloaded trolley in a fixed position on the beam (park position e.g. on ships).



Depicted rubber buffers are optionally available!

UPGRADE
SIMPLE & FLEXIBEL
from Yalelift 360
to Yalelift IT

INFO

Yale hoists and trolleys are not designed for passenger elevation applications and must not be used for this purpose.



ATEX

All models of the Yalelift 360, Yalelift IT and Yalelift LH series are available in an explosion proof version.

From the ATEX Medium version, copper-plated bottom blocks/hooks are being used. The trolley wheels are made of solid bronze also from the medium version.

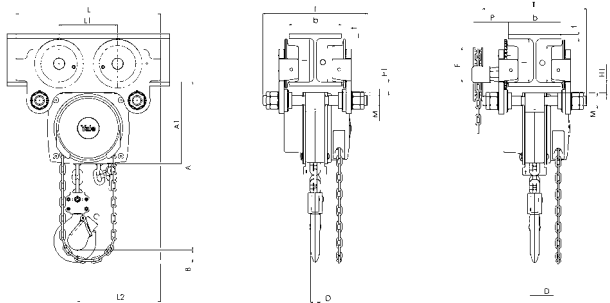
Technical data Yalelift IT

Model	Art.-No.	Capacity in kg/ Number of chain falls	Size	Beam flange width b	Beam flange thickness t max.	Curve radius min.	Weight at standard lift (3 m) - P	Weight at standard lift (3 m) - G	Weight at standard lift (3 m) with locking device - P in kg	Weight at standard lift (3 m) with locking device - G in kg
				mm	mm	m	kg	kg		
YLIT 500	N04900044	500/1	A	50 - 180	19	0.9	20	24	26	31
YLIT 500	-	500/1	B	180 - 300	19	0.9	21	25	27	32
YLIT 1000	N04900045	1000/1	A	50 - 180	19	0.9	27	32	35	40
YLIT 1000	-	1000/1	B	180 - 300	19	0.9	29	33	37	41
YLIT 2000	N04900046	2000/1	A	58 - 180	19	1.15	44	49	52	57
YLIT 2000	-	2000/1	B	180 - 300	19	1.15	46	50	54	58
YLIT 3000	N04900047	3000/1	A	74 - 180	27	1.5	77	82	86	91
YLIT 3000	-	3000/1	B	180 - 300	27	1.4	79	84	88	93
YLIT 5000	N04900048	5000/2	A	98 - 180	27	2.0	125	130	135	140
YLIT 5000	-	5000/2	B	180 - 300	27	1.8	129	134	139	144
YLIT 10000	N04900061	10000/3	B	125 - 310	40	1.8	-	202	-	212
YLIT 20000 ¹	N04900055	20000/6	B	180 - 310	40	9.5	-	on request	-	on request

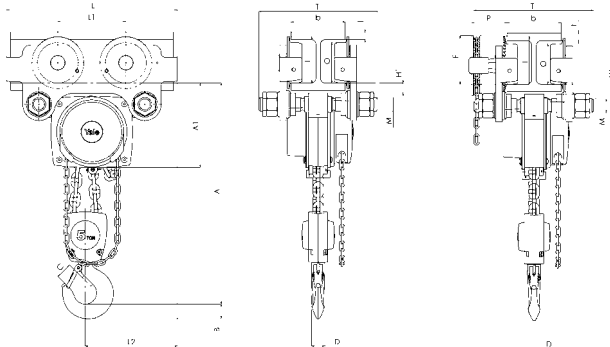
¹ Dimensions on request P in connection with weight = with push trolley G in connection with weight = with geared trolley

Dimensions Yalelift IT

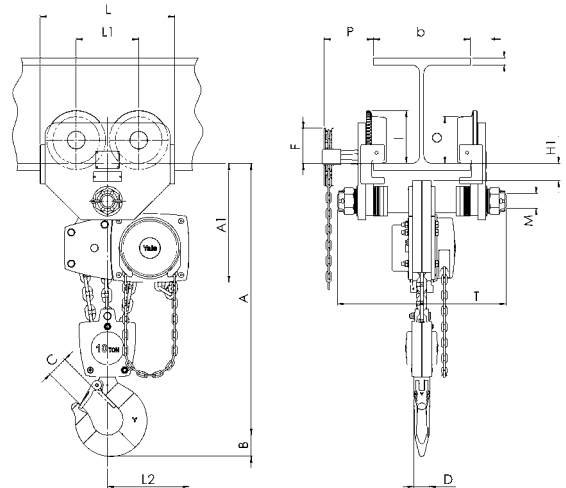
Model	YLIT 500	YLIT 1000	YLIT 2000	YLIT 3000	YLIT 5000	YLIT 10000
A min., mm	245	272	323	382	550	784
A1, mm	158	178	205.5	252	260.5	380
B, mm	17	22	30	38	45	68
C, mm	24	29	35	40	47	68
D, mm	14	19	22	30	37	50
F (Geared trolley), mm	92	92	91	107	149.5	113
H1, mm	24.5	24	23.5	32	30.5	55
I (Push trolley), mm	71.5	71.5	95.5	131	142.5	169
I (Geared trolley), mm	76.5	76.5	98	132.5	148.5	169
L, mm	270	310	360	445	525	430
L1, mm	130	130	150	180	209	200
L2, mm	159	175	207	256	283	261
M, mm	M18	M22	M27	M30	M42	M48
O, mm	60	60	80	112	125	150
P (Geared trolley), mm	108	110	112	112	117	158
T (Area A), mm	280	290	305	320	364	-
T (Area B), mm	400	410	425	440	484	540



Yalelift ITP/ITG, 500 - 3000 kg, single fall



Yalelift ITP/ITG, 5000 kg, double fall



Yalelift ITG, 10000 kg, three fall

YALELIFT LH - HAND CHAIN HOIST WITH INTEGRATED PUSH OR GEARED TROLLEY (LOW HEADROOM)

The hand chain hoist model Yalelift LH with integrated low headroom manual trolley is the consequent further development of the Yalelift IT. Wherever an even smaller headroom is essential, the Yalelift LH is the ideal choice.

CAPACITIES 500 - 10000 KG

BENEFITS & FEATURES

- The specially developed chain reeving system and chain guide allow the bottom block to be pulled laterally to the hoist even further up and almost against the beam flange.
- The integrated design of the innovative Yalelift LH uses the same manual trolleys as incorporated in the Yalelift IT series.
- The approved and almost stepless adjustment system of the trolley enables the simple and quick assembly due to adjusting nuts.
- Trolleys up to 5 t capacity are offered for two beam ranges; range A for a flange width of up to 180 mm is standard and covers approx. 80 % of all applications. Conversion to range B for beam width up to 300 mm can be easily accomplished.
- The trolley wheels are designed for a max. beam profile incline of 14% (DIN 1025-part 1), excellent rolling features are guaranteed by pre-lubricated, encapsulated ball bearings.
- Anti-drop and anti-tilt devices as standard.

OPTIONS

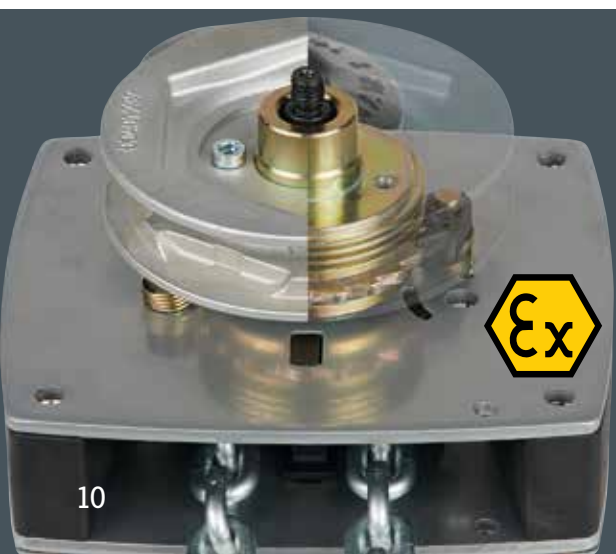
- Adjustable overload protection device.
- Chain container
- Rubber buffers
- Corrosion resistant version
- Beam locking device to secure the unloaded trolley in a fixed position on the beam (park position e.g. on ships).



Depicted rubber buffers are optionally available!

INFO

Yale hoists and trolleys are not designed for passenger elevation applications and must not be used for this purpose.



ATEX BRAKE

An indicator to consider is the hot surface that may be created during the lowering process on the load pressure brake.

In order to be able to dissipate the generated heat more quickly and to comply with the corresponding temperature class T4, a hub with cooling fins is used for all ATEX devices.

Technical data LH

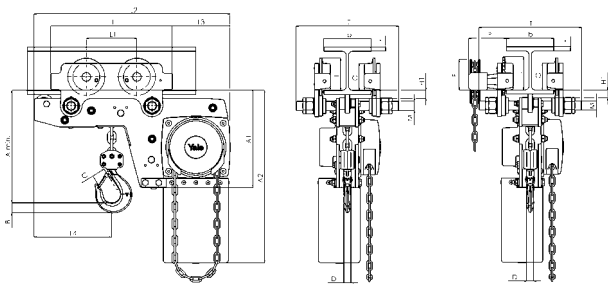
Model	Art.-No.	Capacity in kg/ Number of chain falls	Size	Beam flange width b	Beam flange thickness t max.	Curve radius min.	Weight at standard lift (3 m) - P	Weight at standard lift (3 m) - G	Weight at standard lift (3 m) with locking device - P in kg	Weight at standard lift (3 m) with locking device - G in kg
				mm	mm	m	kg	kg		
YLLH 500	N05600017	500/1	A	60 - 180	19	0.9	27	31	33	38
YLLH 500	-	500/1	B	180 - 300	19	0.9	27	32	34	38
YLLH 1000	N05600018	1000/1	A	70 - 180	19	0.9	35	40	43	48
YLLH 1000	-	1000/1	B	180 - 300	19	0.9	36	41	44	49
YLLH 2000	N05600019	2000/1	A	82 - 180	19	1.15	61	65	69	73
YLLH 2000	-	2000/1	B	180 - 300	19	1.15	62	67	70	75
YLLH 3000	N05600020	3000/1	A	100 - 180	19	1.5	107	112	116	121
YLLH 3000	-	3000/1	B	180 - 300	19	1.4	109	114	118	123
YLLH 5000	N05600021	5000/2	A	110 - 180	27	2.0	152	157	162	167
YLLH 5000	-	5000/2	B	180 - 300	27	1.8	156	161	166	171
YLLH 10000	-	10000/3	A	125 - 180	40	1.8	224	230	234	239
YLLH 10000	-	10000/3	B	190 - 310	40	1.8	227	232	237	242

P in connection with weight = with push trolley

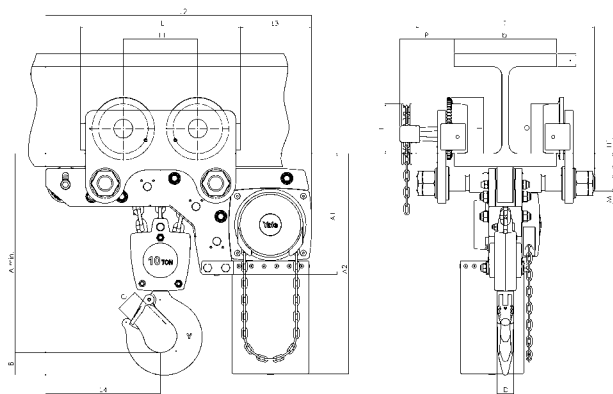
G in connection with weight = with geared trolley

Dimensions Yalelift LH

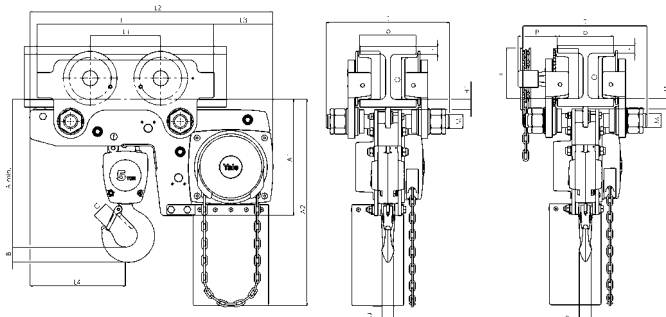
Model	YLLH 500	YLLH 1000	YLLH 2000	YLLH 3000	YLLH 5000	YLLH 10000
A min., mm	188	211	264	316	425	565
A1, mm	223	250	289	346	345	365
A2, mm	381	427	511	614	612	665
B, mm	17	22	30	38	45	68
C, mm	24	29	35	40	47	68
D, mm	14	19	22	30	37	50
F (Geared trolley), mm	92	92	91	107	150	150
H1, mm	24	24	24	32	31	45
I (Push trolley), mm	72	72	96	131	143	170
I (Geared trolley), mm	77	77	98	133	149	170
L, mm	270	310	360	445	525	485
L1, mm	130	130	150	180	209	225
L2, mm	444	488	582	690	720	805
L3, mm	124	135	172	203	175	215
L4, mm	184	201	230	265	283	348
M, mm	M18	M22	M27	M30	M42	M48
O, mm	60	60	80	112	125	150
P (Geared trolley), mm	108	110	112	112	117	165
T (Area A), mm	280	290	305	320	364	440
T (Area B), mm	400	410	425	440	484	540



Yalelift LHP/LHG, 500 - 3000 kg, single fall



Yalelift LHG, 10000 kg, three fall



Yalelift LHP/LHG, 5000 kg, double fall

Germany

COLUMBUS McKINNON Industrial Products GmbH*

Yale-Allee 30
42329 Wuppertal
Phone: 00 49 (0) 202/69359-0
Web Site: www.cmco.eu
Web Site: www.yale.de
E-mail: info.wuppertal@cmco.eu

COLUMBUS McKINNON Engineered Products GmbH*

Am Silberpark 2-8
86438 Kissing
Phone: 00 49 (0) 8233 2121-777
Web Site: www.cmco.eu
Web Site: www.pfaff-silberblau.com
E-Mail: sales.kissing@cmco.eu

Pfaff Verkehrstechnik GmbH*

Am Silberpark 2-8
86438 Kissing
Phone: 00 49 (0) 8233 2121-4500
Web Site: www.pfaff-silberblau.com
E-Mail: verkehrstechnik@pfaff-silberblau.com

Austria

COLUMBUS McKINNON Hebetchnik GmbH*

Gewerbepark, Wiener Straße 132a
2511 Pfaffstätten
Phone: 00 43 (0) 22 52/22 133-0
Web Site: www.cmco-hebetchnik.at
E-mail: zentrale@cmco.at

Switzerland

COLUMBUS McKINNON Switzerland AG*

Dällikerstraße 25
8107 Buchs ZH
Phone: 00 41 (0) 44 8 51 55 77
Web Site: www.cmco.ch
E-mail: info.buchs@cmco.eu

Italy

COLUMBUS McKINNON Italia S.r.l.*

Via 11 Settembre 26
20023 Cerro Maggiore (MI)
Phone: 00 39 (0) 331/57 63 29
Web Site: www.cmco-italia.it
E-mail: vendite@cmco.eu

France

COLUMBUS McKINNON France SARL*

Zone Industrielle des Forges
33 Rue Albert et Paul Thouvenin
18108 Vierzon Cedex
Phone: 00 33 (0) 248/71 85 70
Web Site: www.cmco-france.com
E-mail: sales.fr@cmco.eu

Netherlands

COLUMBUS McKINNON Benelux B.V.

Flight Forum 128 a
5657 DD Eindhoven
Phone: 00 31 (0) 40/3 03 26 81
Web Site: www.cmco.eu
E-mail: sales.nl@cmco.eu

Great Britain

COLUMBUS McKINNON Corporation Ltd.*

Knutsford Way, Sealand Industrial Estate
Chester CH1 4NZ
Phone: 00 44 (0) 1244 375375
Web Site: www.cmco.eu
E-mail: sales.uk@cmco.eu

Northern Ireland & Republic of Ireland

COLUMBUS McKINNON Corporation Ltd.

1A Ferguson Centre
57-59 Manse Road
Newtownabbey BT36 6RW

Northern Ireland

Phone: 00 44 (0) 2890 840697
Web Site: www.cmco.eu
E-mail: sales.ni@cmco.eu

COLUMBUS McKINNON Ireland Ltd.

Unit 4, South Court
Wexford Road Business Park
Co. Carlow
Phone: 00 353 (0) 59 918 6605
Web Site: www.cmco.eu
E-Mail: info.irl@cmco.eu

Spain & Portugal

COLUMBUS McKINNON Ibérica S.L.U.

Ctra. de la Esclusa, 21 acc. A
41011 Sevilla
Phone: 00 34 954 29 89 40
Web Site: www.cmiberica.com
E-mail: informacion@cmco.eu

Poland

COLUMBUS McKINNON Polska Sp.z o.o.

ul. Owsiana 14
62-064 PLEWISKA
Phone: 00 48 (0) 61 6 56 66 22
Web Site: www.cmco-polska.pl
E-Mail: kontakt@columbus-mckinnon.pl

Russia

COLUMBUS McKINNON Russia LLC

ul. Marshala Govorova 35
Building 4, liter I, premises 16-N, office 413
198095 St. Petersburg
Phone: 007 (812) 322 68 38
Web Site: www.cmco.ru
E-mail: info@cmco.ru

Hungary

COLUMBUS McKINNON Hungary Kft.*

Vásárhelyi út 5. VI ép
8000 Székesfehérvár
Phone: 00 36 (22) 880-540
Web Site: www.cmco.hu
E-mail: sales.hungary@cmco.eu

United Arab Emirates

COLUMBUS McKINNON Member

STAHL CraneSystems FZE

Warehouse RA 08/SC 08
P.O. Box 261271
Jebel Ali Free Zone
Dubai, U. A. E.
Phone: 00 971 4 8053 700
Web Site Stahl: www.stahlcranes.com
E-mail Stahl: infouae@stahlcranes.com
Web Site CMCO: www.cmco.eu
E-mail CMCO: sales.uae@cmco.eu

South Africa

Yale Lifting Solutions (Pty) Ltd*

P.O. Box 4431
Honeydew
Johannesburg, 2040
Phone: 00 27 (0) 11/794 29 10
Web Site: www.yale.co.za
E-mail: info@yalelift.co.za; crm@yalelift.co.za

Yale Lifting Solutions (Pty) Ltd.*

P.O. Box 15557
Westmead, 3608
Durban
Phone: 00 27 (0) 31/700 43 88
Web Site: www.yale.co.za
E-mail: info@yalelift.co.za; crm@yalelift.co.za

Branch Magaliesburg*

P.O. Box 592
Magaliesburg, 1791
Phone: 00 27 (0) 14/577 26 07

Branch Middleburg*

16 July Street
Sunset Business Park no 5
Middleburg, 1050
Phone: 00 27 (0) 13/244 1579



HAVE WE DRAWN YOUR ATTENTION?



Visit: **www.cmco.eu**

Follow us:

